

REVISIONS			
REV	DESCRIPTION	DATE	APPROVED

NOTES:

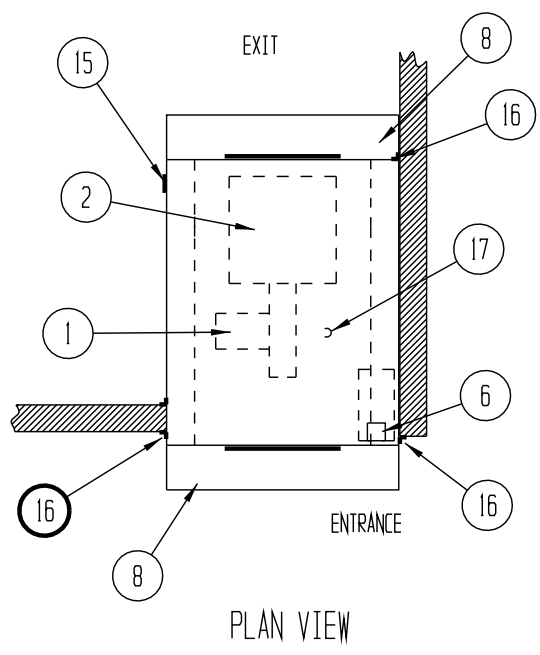
- CONSTRUCTION TO BE 16 GA. 304 STAINLESS STEEL WITH A #4 FINISH
- ELECTRICAL WIRING TO CONFORM TO LATEST NEC STANDARDS
- CUSTOMER TO SUPPLY A SINGLE SOURCE 480 VOLT, 3 PH, 60 HZ, ELECTRICAL SERVICE
- UNIT TO MEET OR EXCEED ISO STANDARD 14644-1
- UNIT TO BE SHIPPED IN TWO PIECES (1 BASE SECTION AND 1 BLOWER/FILTER SECTION)
- DOORS PROVIDED WITHOUT MOTORS OR SAFETY EYE SYSTEM
- DOOR OPERATION BY MANUAL, BOTTOM PULL HANDLE W/ LOCKING SLIDE LATCH FOR SECURING IN PLACE DURING SHOWER CYCLE
- UNIT PROVIDED W/ NO FLOOR OR LIGHTS
- SHOWER ACTIVATED BY MANUAL ON/OFF SWITCH ONLY ON EXIT SIDE

- ① 1 EA. DIRECT DRIVE MOTOR/BLOWER 5 H.P. 480V/ 3PH/ 60HZ CAPABLE OF PRODUCING 1820 CFM @ 4" SP
- ② 1 EA. 24 X 24 X 11 1/2 HEPA FILTER. 99.99% EFFICIENT ON PARTICLES OF 0.3 MICRONS IN SIZE
- ③ 2 EA. 36 X 12 X 1" PERFORATED SS PRE-FILTER GRILLES WITH 35% EFFICIENT DISPOSABLE PRE-FILTERS
- ④ ELECTRONIC CONTROLS ENCLOSURE W/ MOTOR STARTER
- ⑤ START/STOP SWITCH W/ RUN PILOT LIGHT ONLY ON EXIT (CLEAN) SIDE
- ⑥ ELECTRICAL JUNCTION BOX FOR CUSTOMER CONNECTION
- ⑦ SOLID 24" HIGH, 1/8" FILLER PANEL W/ 2" X 2" X 1/8" SS BRACKETS & TOP
- ⑧ SS COVER FOR DOOR ROLLER W/ SLOPPED TOPS
- ⑨ WHITE POWDER PAINTED ALUMINUM ROLL UP DOORS, 42" HIGH AT ENTRANCE, 66" HIGH AT EXIT W/ MANUAL LIFT HANDLES AT THE BOTTOM OF EACH DOOR & MANUAL SLIDE LATCHES
- ⑩ 36 EA. HIGH VELOCITY ADJUSTABLE AIR NOZZLES
- ⑪ RETURN AIR DUCTS
- ⑫ SUPPLY AIR DUCTS
- ⑬ NA
- ⑭ HINGED SERVICE PANELS
- ⑮ MINIHELIC PRESSURE GAUGE FOR HEPA
- ⑯ 1 1/2" X 1 1/2" X 16 GA SS CLOSURE TRIM BOTH SIDES SHIPPED LOOSE
- ⑰ SLEEVE FOR SPRINKLER, PIPE & HEAD BY OTHERS

**IMPORTANT  
CUSTOMER TO CONFIRM:**

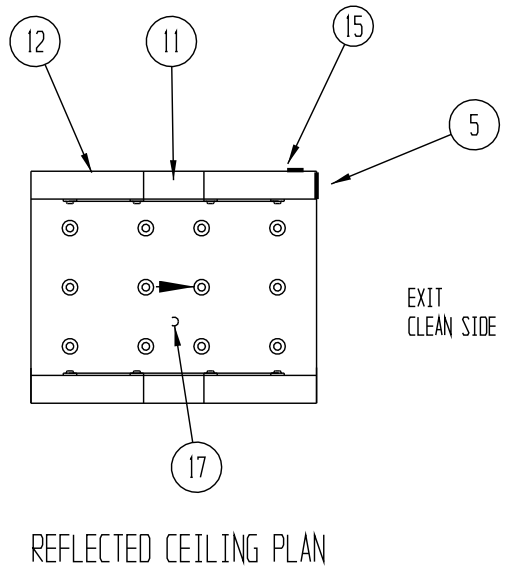
- DOOR SIZES AND DIRECTION OF SWING
- ENTRANCE AND EXIT SIDES AND DIRECTION OF OPERATION
- SERVICE ACCESS PANEL LOCATION & SWING
- AVAILABILITY OF ELECTRICAL SERVICE REQUIRED
- ELECTRICAL SERVICE CONNECTION POINT
- OVERALL SIZE OF UNIT OR SECTIONS
- CLEAR DOOR OPENINGS OF NO LESS THAN 53" WIDE FROM UNLOADING SITE TO INSTALLATION SITE

(1) UNIT REQUIRED, AS SHOWN

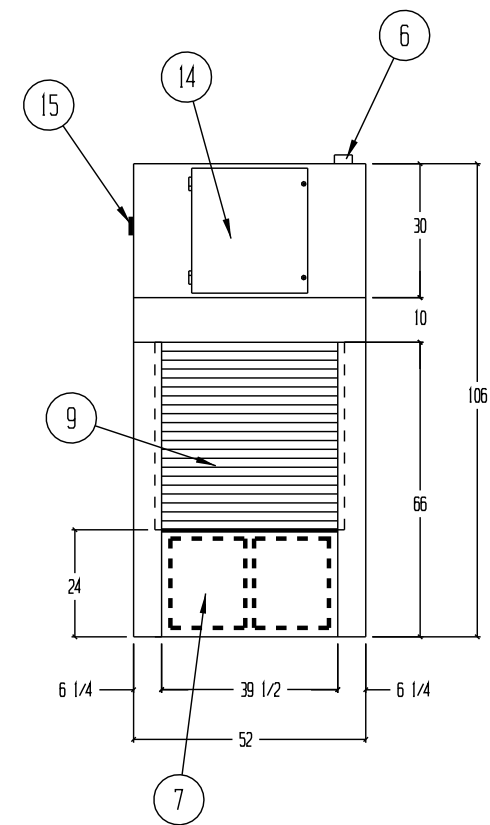


ENTRANCE DIRTY SIDE

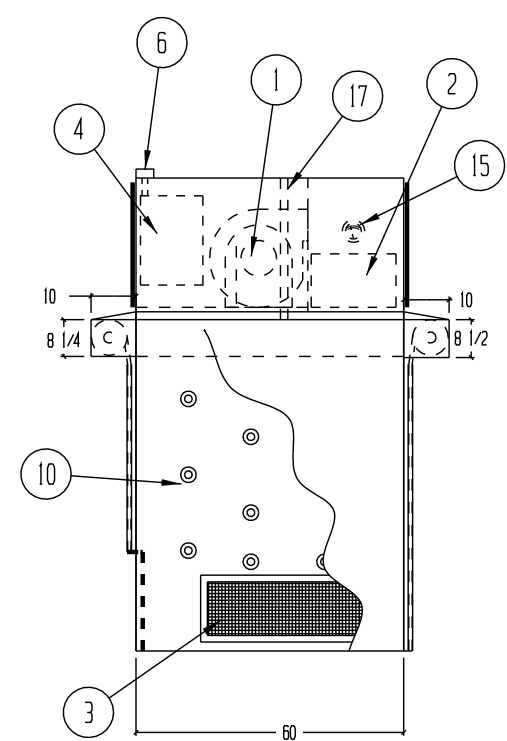
EXIT CLEAN SIDE



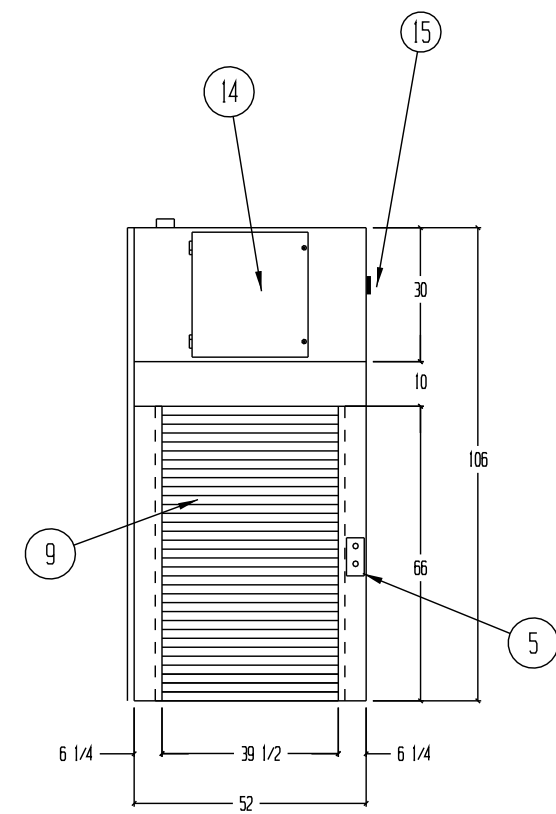
REFLECTED CEILING PLAN



ENTRANCE ELEVATION DIRTY SIDE



RIGHT SIDE ELEVATION



EXIT ELEVATION CLEAN SIDE

DRAWN FOR		<p align="center"><b>HALCO PRODUCTS CO.</b> 100 NO. GORDON STREET ELK GROVE, IL. 60007</p>			
AMANO ENZYME					
DRAWN BY		TITLE		REV	
TM		AS356-SS/MAT/SP MATERIAL AIR SHOWER			
APPROVED BY		SIZE	JOB NO.	DWG NO.	
		SCALE	13075	1017540BD	
		DATE	2-18-13	SHEET	