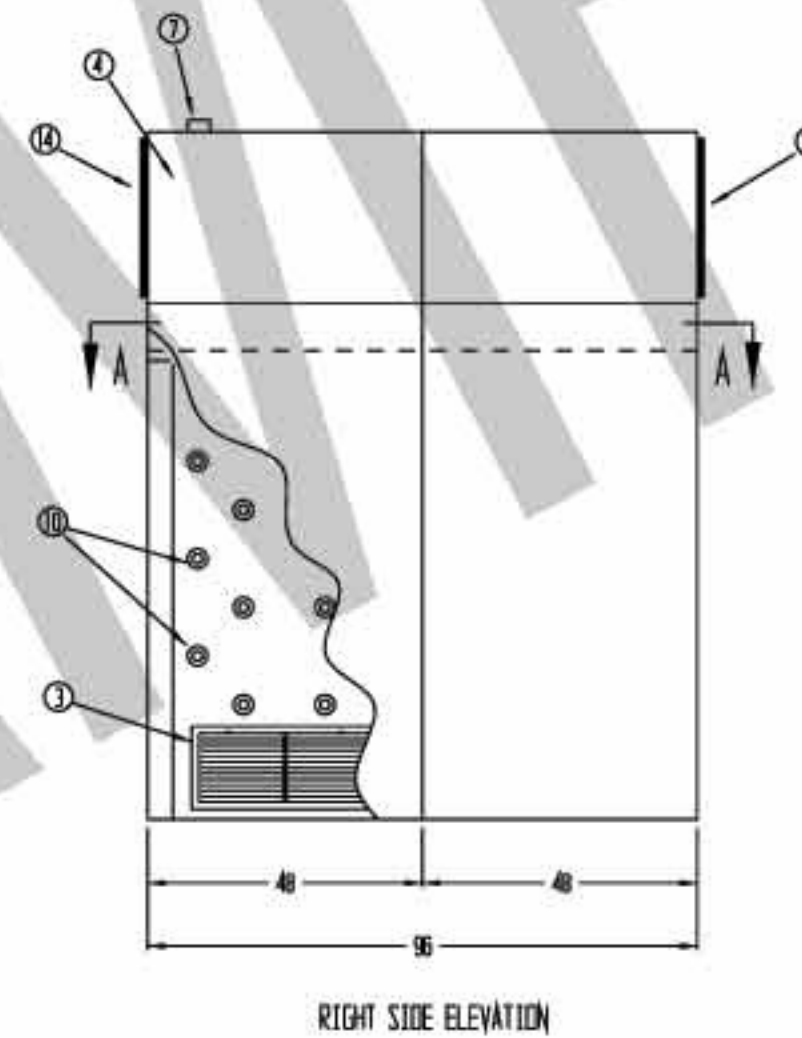
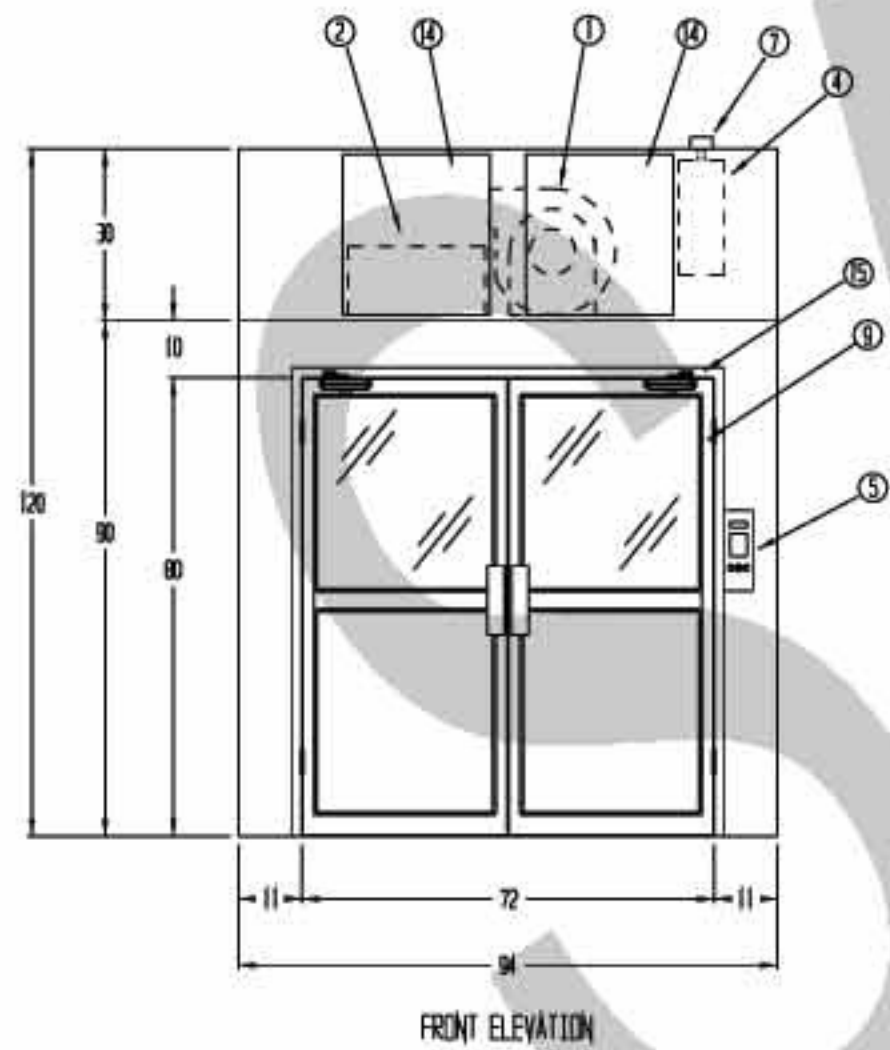
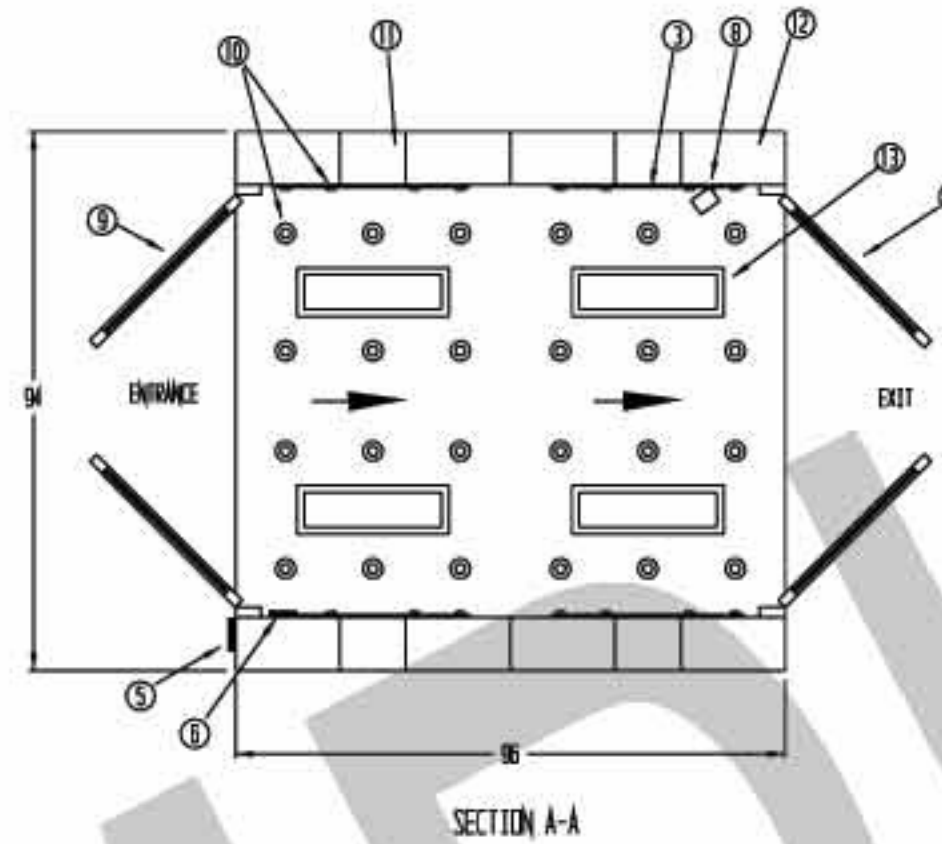
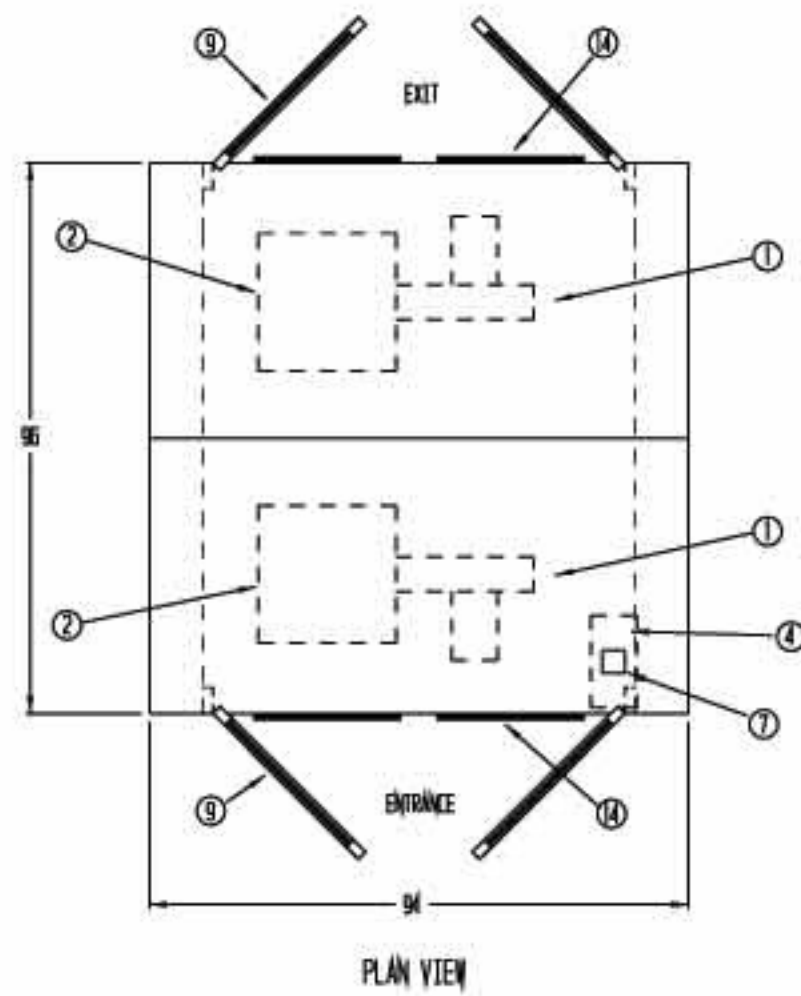


REVISIONS			
REV	DESCRIPTION	DATE	APPROVED



NOTES:

- CONSTRUCTION TO BE 16 GA. GALVANEALD STEEL
- INTERIOR AND EXTERIOR SURFACES TO BE COATED WITH MARBLE WHITE EPOXY
- ELECTRICAL WIRING TO CONFORM TO LATEST NEC STANDARDS
- CUSTOMER TO SUPPLY A SINGLE SOURCE 480 V/3 PH ELECTRICAL SERVICE
- UNIT TO MEET OR EXCEED FEDERAL STANDARD 209B AND 209D FOR CLASS 100 DEVICES
- UNIT TO BE SHIPPED IN 4 PIECES (2 BASE SECTIONS AND 2 BLOWER/FILTER SECTIONS)
- UNIT TO BE SUPPLIED WITHOUT FLOOR AND DOOR SADDLES

- ① 2 EA. DIRECT DRIVE MOTOR/BLOWER 5 H.P. 480 VOLT/3 PHASE 60 HZ/14 FLA, CAPABLE OF PRODUCING 2000 CFM AT 2" S.P.
- ② 2 EA. 24 X 24 X 11 1/2 HEPA FILTER, 99.99% EFFICIENT ON PARTICLES OF 0.3 MICRONS AND LARGER
- ③ 2 EA. 12 X 30 X 1" ANODIZED ALUMINUM PRE-FILTER GRILLES WITH 35% EFFICIENT DISPOSABLE PRE-FILTERS
- ④ ELECTRONIC CONTROLS ENCLOSURE
- ⑤ MICROPROCESSOR CONTROL PANEL WITH LCD DISPLAY, MEMBRANE TYPE KEYPAD, AUDIBLE ALARM, LIGHT SWITCH, AND SYSTEM RESET BUTTON
- ⑥ EMERGENCY STOP BUTTON
- ⑦ ELECTRICAL JUNCTION BOX FOR CUSTOMER CONNECTION
- ⑧ PROXIMITY SENSOR TO ACTUATE AIR SHOWER
- ⑨ ANODIZED ALUMINUM NARROW STILE DOORS AND FRAMES WITH 1/2 ACRYLIC GLAZING AND 1/2 SOLID PANEL
- ⑩ 80 EA. HIGH VELOCITY ADJUSTABLE AIR NOZZLES
- ⑪ RETURN AIR DUCTS
- ⑫ SUPPLY AIR DUCTS
- ⑬ 4 EA. FLUORESCENT LIGHT FIXTURES, 2-TUBE 20W
- ⑭ HINGED SERVICE PANELS
- ⑮ DOOR CLOSERS

DRAWN FOR		<b>HALCO PRODUCTS CO.</b> 100 NO. GORDON STREET ELK GROVE, IL. 60007			
		TITLE AIR SHOWER TUNNEL 887 ST			
DRAWN BY	LVB	SIZE	JOB NO.	DWG. NO.	10756800
APPROVED BY		SCALE	1/2" = 1'-0"	DATE	4-29-93 SHEET