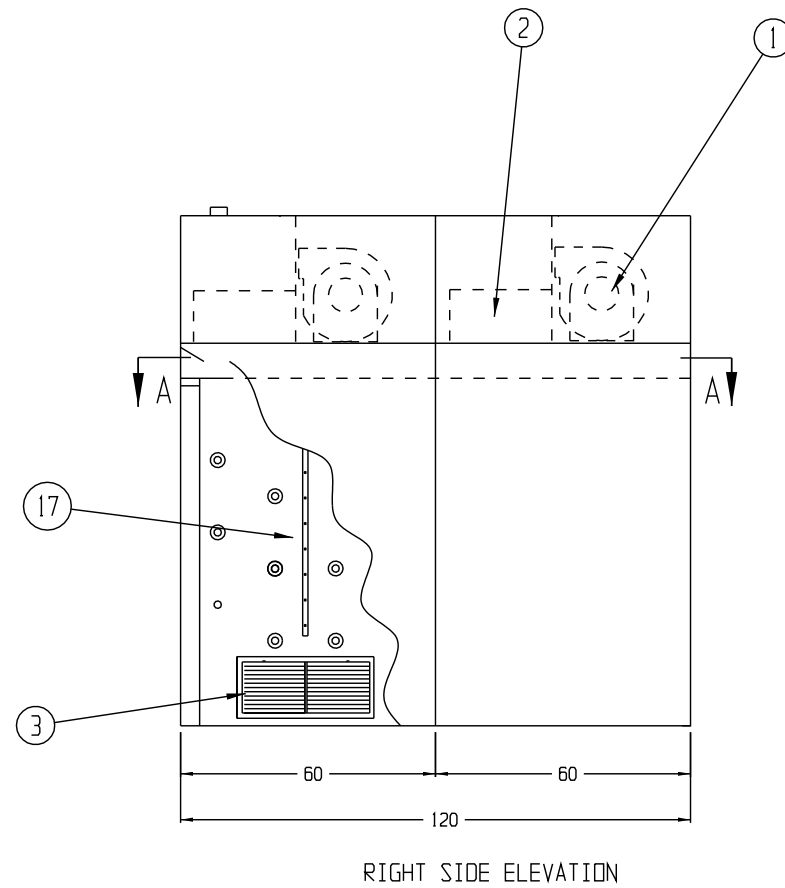
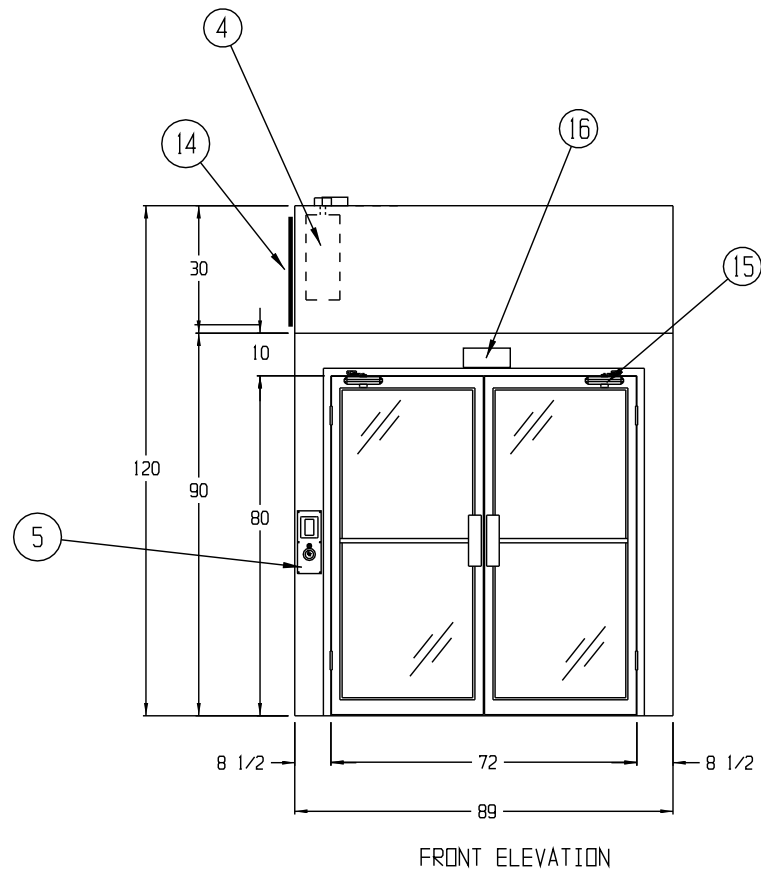
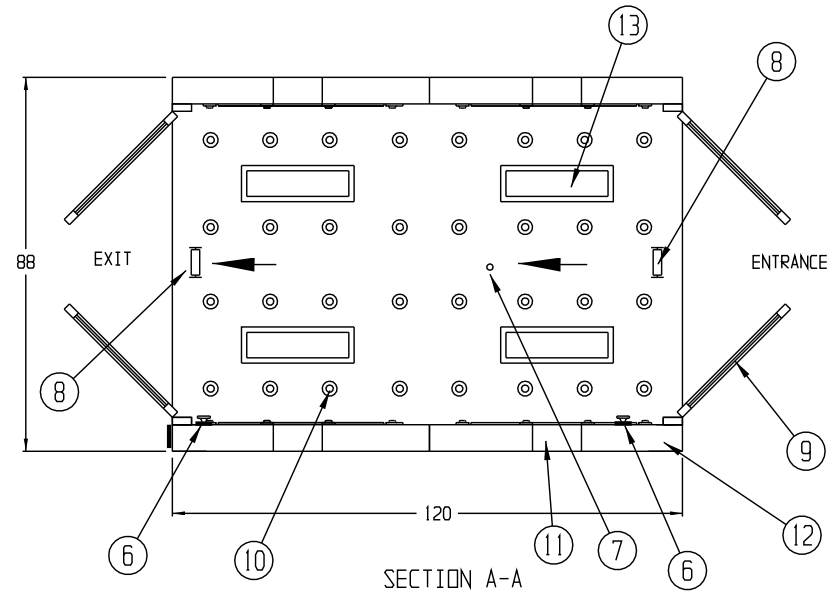
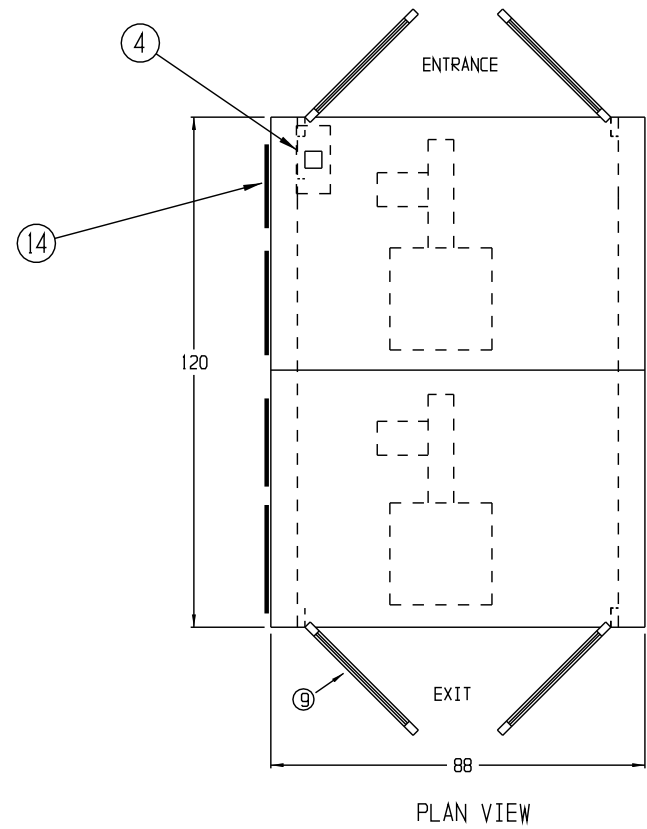


REVISIONS			
REV	DESCRIPTION	DATE	APPROVED



NOTES:

- CONSTRUCTION TO BE 16 GA. GALVANEALD (PAINTED OR UNPAINTED) 304, 316 OR 321 (SPECIFY)
- ELECTRICAL WIRING TO CONFORM TO LATEST NEC STANDARDS
- CUSTOMER TO SUPPLY A SINGLE SOURCE, 460V / 3PH / 60HZ ELECTRICAL SERVICE
- UNIT TO MEET ISO STD. 14644-5 (FED. STD. 209E FOR CLASS 100 DEVICES)
- UNIT TO BE SHIPPED IN FOUR SECTIONS (2 BASE SECTIONS AND 2 BLOWER/FILTER SECTIONS)

- ① 2 EA. DIRECT DRIVE MOTOR/BLOWER 5 HP, 460 VOLT/ 3PH/ 60HZ, 6.4 FLA, CAPABLE OF PRODUCING 4000 CFM AT 2" S.P.
- ② 2 EA. 24 X 24 X 11 1/2 HEPA FILTER. 99.99% EFFICIENT ON PARTICLES OF 0.3 MICRONS AND LARGER
- ③ 4 EA. 12 X 36 X 1" ANODIZED ALUMINUM PRE-FILTER GRILLES WITH 35% EFFICIENT DISPOSABLE PRE-FILTERS
- ④ ELECTRONIC CONTROLS ENCLOSURE
- ⑤ PLC CONTROL PANEL WITH TOUCH SCREEN DISPLAY AUDIBLE ALARM & EMERGENCY STOP BUTTON

- ⑥ EMERGENCY STOP BUTTON
- ⑦ HOLE FOR SPRINKLER DROP (1-1/2" O.D.)
- ⑧ ACTIVE INFRARED PRESENCE SENSOR TO ACTUATE AIR SHOWER
- ⑨ ANODIZED ALUMINUM NARROW STILE DOORS AND FRAMES WITH 1/4" THK, CLEAR ACRYLIC INSERTS
- ⑩ 80 EA. HIGH VELOCITY ADJUSTABLE AIR NOZZLES
- ⑪ RETURN AIR DUCTS
- ⑫ SUPPLY AIR DUCTS
- ⑬ 4 EA. LED LIGHT FIXTURES,
- ⑭ HINGED SERVICE PANELS
- ⑮ DOOR CLOSERS (HOLD OPEN TYPE FOR ALL DOORS)
- ⑯ 2 EA. LOCK ACCESS PLATES
- ⑰ IONIZATION W/ 4 EA DC PULSE BARS & CONTROLLER

**IMPORTANT
CUSTOMER TO CONFIRM:**

- DOOR SIZES AND DIRECTION OF SWING
- ENTRANCE AND EXIT SIDES AND DIRECTION OF OPERATION
- SERVICE ACCESS PANEL LOCATION AND SWING
- AVAILABILITY OF ELECTRICAL SERVICE REQUIRED
- ELECTRICAL SERVICE CONNECTION POINT
- OVERALL SIZE OF UNIT OR SECTIONS
- CLEAR DOOR OPENINGS OF NO LESS THAN 72" WIDE FROM UNLOADING SITE TO INSTALLATION SITE

DRAWN FOR		HALCO PRODUCTS CO.			
		100 NO. GORDON STREET ELK GROVE, IL. 60007			
		TITLE			
		AIR SHOWER AS 810-7 PLC/NF/DD			
DRAWN BY	TM	SIZE	JOB NO.	ENG. NO.	REV
APPROVED BY			13205	101785080	
		SCALE	DATE	SHEET	
		1/4"=1'-0"	9-9-13		