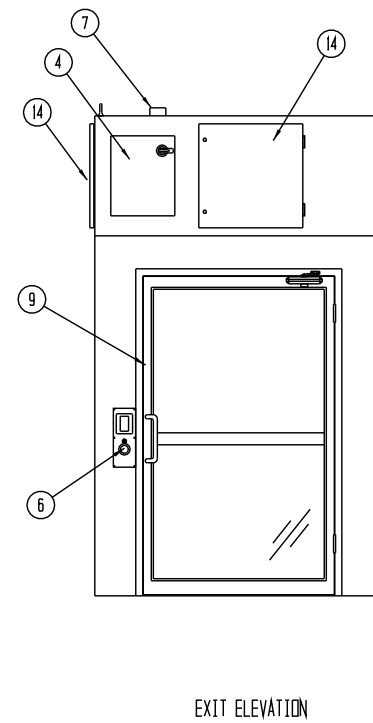
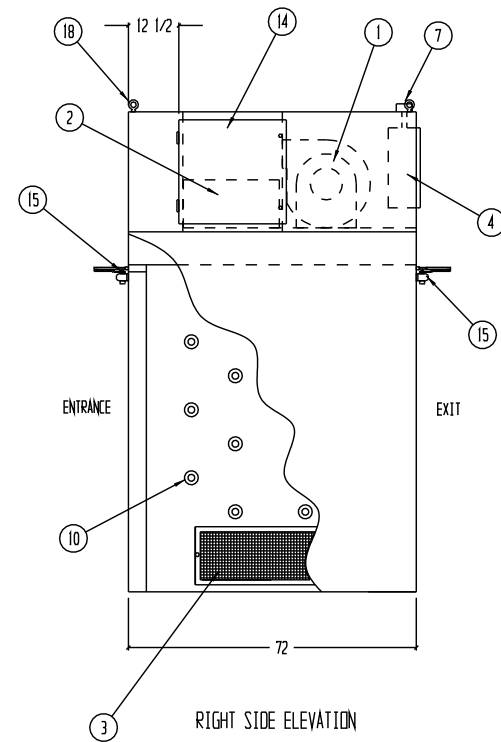
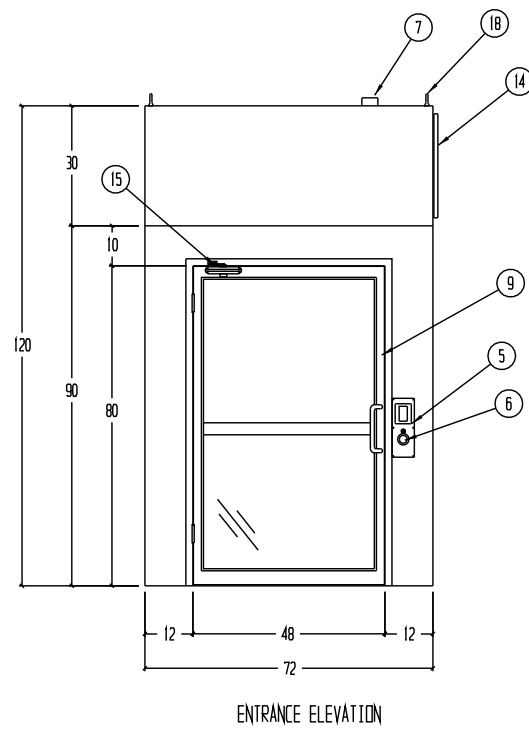
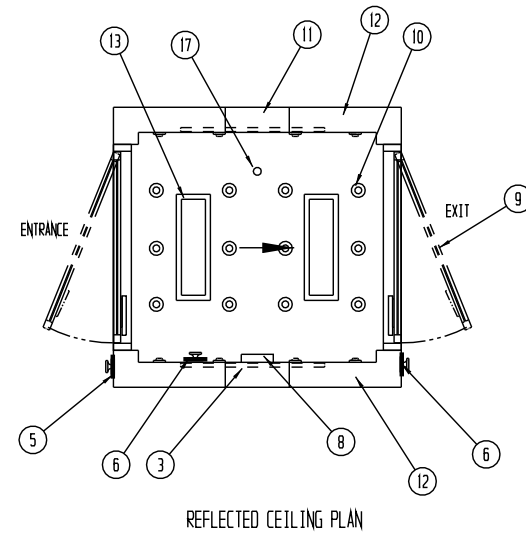
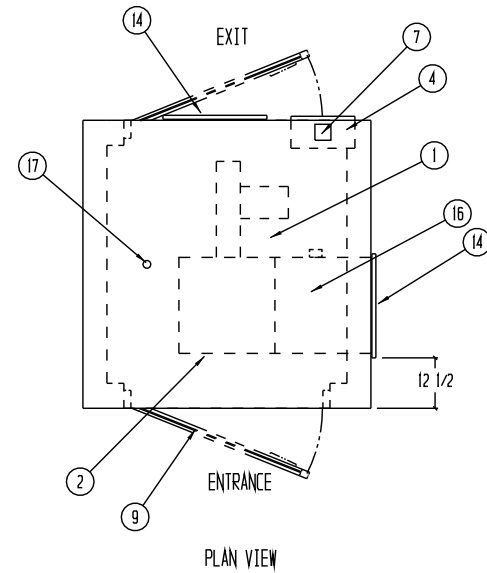


REVISIONS			
REV	DESCRIPTION	DATE	APPROVED
A	ADD LIFTING EYEBOLTS	4/4/19	
B	MOVE FILTER ACCESS	4/30/19	



NOTES:

- CONSTRUCTION TO BE 16 GA GALVANNEALED STEEL COATED WITH WHITE EPOXY PAINT
- ELECTRICAL WIRING TO CONFORM TO LATEST NEC STANDARDS
- CUSTOMER TO SUPPLY A SINGLE SOURCE 208 V/3 PH/60HZ ELECTRICAL SERVICE, 15.4 FLA
- UNIT TO MEET ISO STANDARD 14644-1 (FED. STD. 209E)
- UNIT TO BE SHIPPED IN TWO SECTIONS
 - BASE SECTION: 72" WIDE X 72" LONG X 90" HIGH
 - TOP SECTION: 72" WIDE X 72" LONG X 30" HIGH
- NO FLOOR

IMPORTANT
CUSTOMER TO CONFIRM:

- DOOR SIZES AND DIRECTION OF SWING
- ENTRANCE AND EXIT SIDES AND DIRECTION OF OPERATION
- SERVICE ACCESS PANEL LOCATION AND SWING
- AVAILABILITY OF ELECTRICAL SERVICE REQUIRED
- ELECTRICAL SERVICE CONNECTION POINT
- OVERALL SIZE OF UNIT OR SECTIONS
- CLEAR DOOR OPENINGS OF NO LESS THAN 72" WIDE FROM UNLOADING SITE TO INSTALLATION SITE

- ① 1 EA. DIRECT DRIVE MOTOR/BLOWER 5 H.P. 208V /3PH /60HZ, 12.4 FLA, CAPABLE OF PRODUCING 1800 CFM AT 4" S.P.
- ② 1 EA. 24" X 24" X 11-1/2" HEPA FILTER. 99.99% EFFICIENT ON PARTICLES OF 0.3 MICRONS IN SIZE
- ③ 2 EA. 36" X 12" X 1" EPOXY PAINTED PRE-FILTER GRILLES WITH 35% EFFICIENT DISPOSABLE PRE-FILTERS
- ④ ELECTRONIC CONTROLS ENCLOSURE WITH DISCONNECT
- ⑤ PLC TOUCHSCREEN CONTROL PANEL, AUDIBLE ALARM, LIGHT SWITCH, AND SYSTEM RESET BUTTON,
- ⑥ 3EA EMERGENCY STOP BUTTON (MUSHROOM TYPE)
- ⑦ ELECTRICAL JUNCTION BOX FOR CUSTOMER POWER CONNECTION
- ⑧ 2EA ACTIVE INFARED PRESENCE SENSOR
- ⑨ ANODIZED ALUMINUM NARROW STILE DOORS WITH 1/4" THK. ACRYLIC INSERTS, MAGNETICALLY INTERLOCKED (48"W X 80"H)
- ⑩ 40 EA. HIGH VELOCITY ADJUSTABLE AIR NOZZLES
- ⑪ RETURN AIR DUCTS
- ⑫ SUPPLY AIR DUCTS
- ⑬ 2 EA. LED LIGHT FIXTURES, CAPABLE OF PRODUCING 60 FC AT 40" AFF
- ⑭ HINGED SERVICE PANELS
- ⑮ DOOR CLOSERS
- ⑯ PRESSURE TRANSMITTER FOR MONITORING HEPA LOADING VIA TOUCHSCREEN CONTROL
- ⑰ SPRINKLER PENETRATION FOR CUSTOMER SUPPLIED PIPE AND HEAD
- ⑱ 1/2" EYEBOLTS FOR RIGGING TOP SECTION IN PLACE

(1) UNIT REQUIRED, AS SHOWN

DRAWN FOR		HALE & HALCO COMPANY, INC. 100 NO. GORDON STREET ELK GROVE, IL. 60007			
SENJU SOLDER PLANT					
DRAWN BY		SIZE	JOB NO.	DWG NO.	REV
DK			14590	1021149BB	B
APPROVED BY		SCALE	DATE	SHEET	
		1/4"=1'-0"	4/4/19		