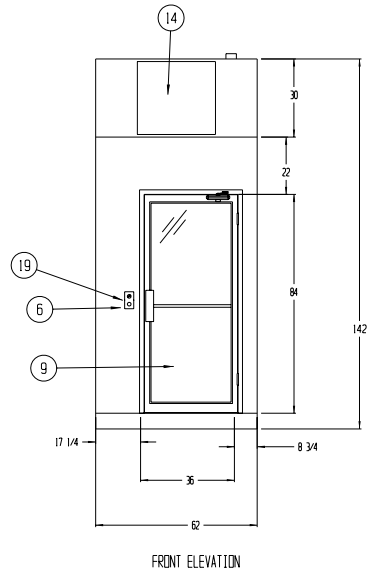
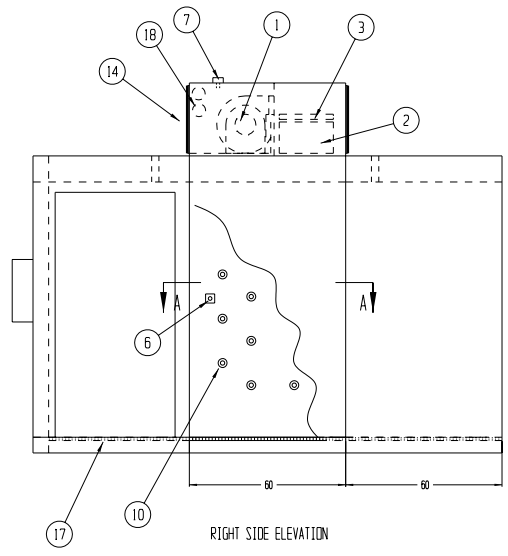
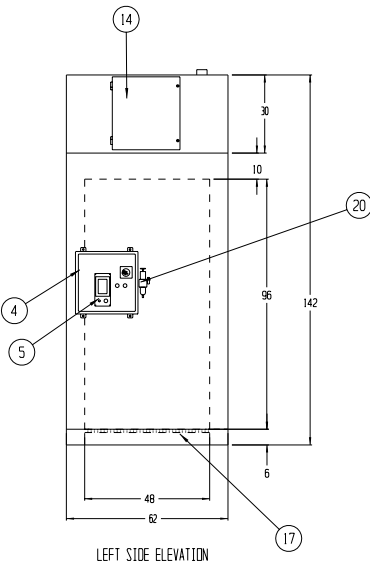
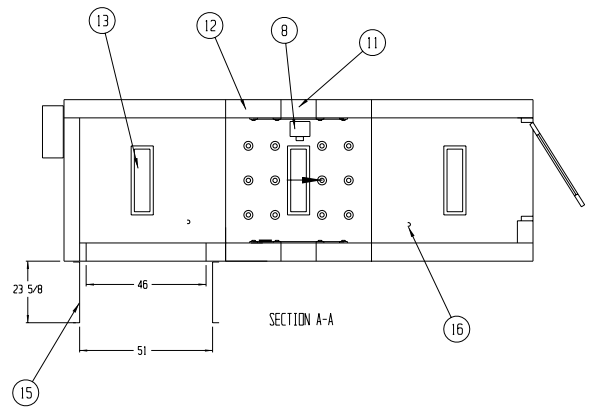


REVISIONS			
REV	DESCRIPTION	DATE	APPROVED

NOTES:

- CONSTRUCTION TO BE UNPAINTED 16 GA ALUMINIZED STEEL
- ELECTRICAL WIRING TO CONFORM TO LATEST NEC STANDARDS
- CUSTOMER TO SUPPLY A SINGLE SOURCE 460 VOLT/3 PH, 60HZ, ELECTRICAL SERVICE
- UNIT RATED CLASS II, DIVISION II, GROUP G
- UNIT TO MEET FEDERAL STANDARD 209B AND 209E FOR CLASS 100 DEVICES
- UNIT PROVIDED WITH PNEUMATIC INTERLOCK & DIVISION II SWITCHES
- EXIT DOOR LOCK W/ STATUS SWITCH SHIPPED LOOSE
- UNIT TO BE SHIPPED IN (4) PIECES (1 AS BASE SECTION, 1 AS BLOWER/FILTER SECTION, 1 ENTRY SECTION & 1 EXIT SECTION)
- CUSTOMER TO VERIFY CLEAR DOOR OPENINGS OF NO LESS THAN 60" WIDE FROM UNLOADING SITE TO INSTALLATION SITE
- NO FLOOR

- ① 1 EA. DIRECT DRIVE MOTOR/BLOWER GROUP D, 5 H.P. CAPABLE OF PRODUCING 1820 CFM AT 4" S.P.
- ② 1 EA. 24 X 24 X 11 1/2 HEPA FILTER, 99.99% EFFICIENT ON PARTICLES OF 0.3 MICRONS AND LARGER
- ③ 1 EA. 24 X 24 X 2" PRE-FILTER, 35% EFFICIENT DISPOSABLE PRE-FILTERS
- ④ DUSTTIGHT ELECTRONIC CONTROLS ENCLOSURE
- ⑤ PLC CONTROL PANEL WITH TOUCH SCREEN DISPLAY KEYPAD, AUDIBLE ALARM, LIGHT SWITCH, AND SYSTEM RESET BUTTON
- ⑥ (3) EMERGENCY STOP BUTTON
- ⑦ ELECTRICAL JUNCTION BOX FOR CUSTOMER CONNECTION
- ⑧ ULTRASONIC PRESENCE SENSOR IN DIVISION II ENCLOSURE
- ⑨ ENTRY DOOR OF ANODIZED ALUMINUM AND FRAMES WITH ACRYLIC GLAZING & SOLID BOTTOM PANEL
- ⑩ 44 EA. HIGH VELOCITY ADJUSTABLE AIR NOZZLES
- ⑪ RETURN AIR DUCTS
- ⑫ SUPPLY AIR DUCTS
- ⑬ 3 EA. DIVISION II LED LIGHT FIXTURE WITH (2) F20T12CW, CAPABLE OF PRODUCING 50 FC AT 40" AFF W/ (1) BATTERY BACK UP FIXTURE
- ⑭ HINGED SERVICE PANELS
- ⑮ 23 5/8" 16 GA SPACER ON TOP & SIDES OF EXIT OPENING SHIPPED LOOSE
- ⑯ (2) SLEEVES FOR SPRINKLERS (PIPE & HEAD SHIPPED LOOSE)
- ⑰ 6" HIGH RAISED FLOOR W/ REMOVABLE SS FLOOR GRATING
- ⑱ DIVISION II RATED PRESSURE SWITCHES FOR HEPA & PREFILTER W/ RED PILOT LIGHT ALARM ON CONTROL PANEL
- ⑲ LIGHT SWITCH
- ⑳ REGULATOR FOR PNEUMATIC LOCKS (REQUIRES MIN 40 PSI)



DRAWN FOR		<b>HALCO PRODUCTS CO.</b>			
		100 NO. GORDON STREET ELK GROVE, IL. 60007			
		TITLE AS 615-7 ALST/RF/L/EXP/SP			
DRAWN BY	TM	SIZE	JOB NO. 12612	ENG NO. 101658280	REV
APPROVED BY		SCALE	DATE 1-17-11	SHEET	