

REVISIONS			
REV	DESCRIPTION	DATE	APPROVED

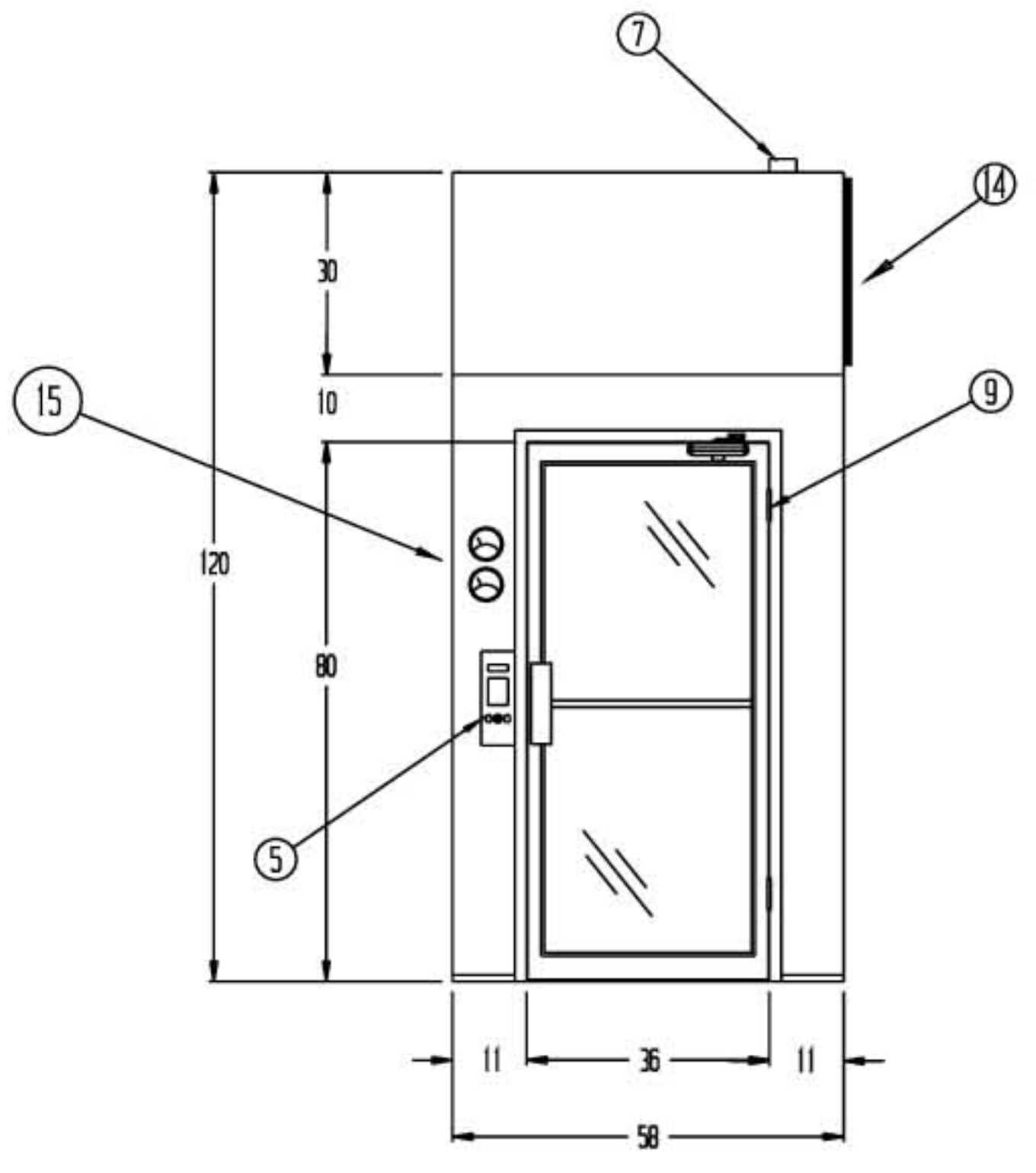
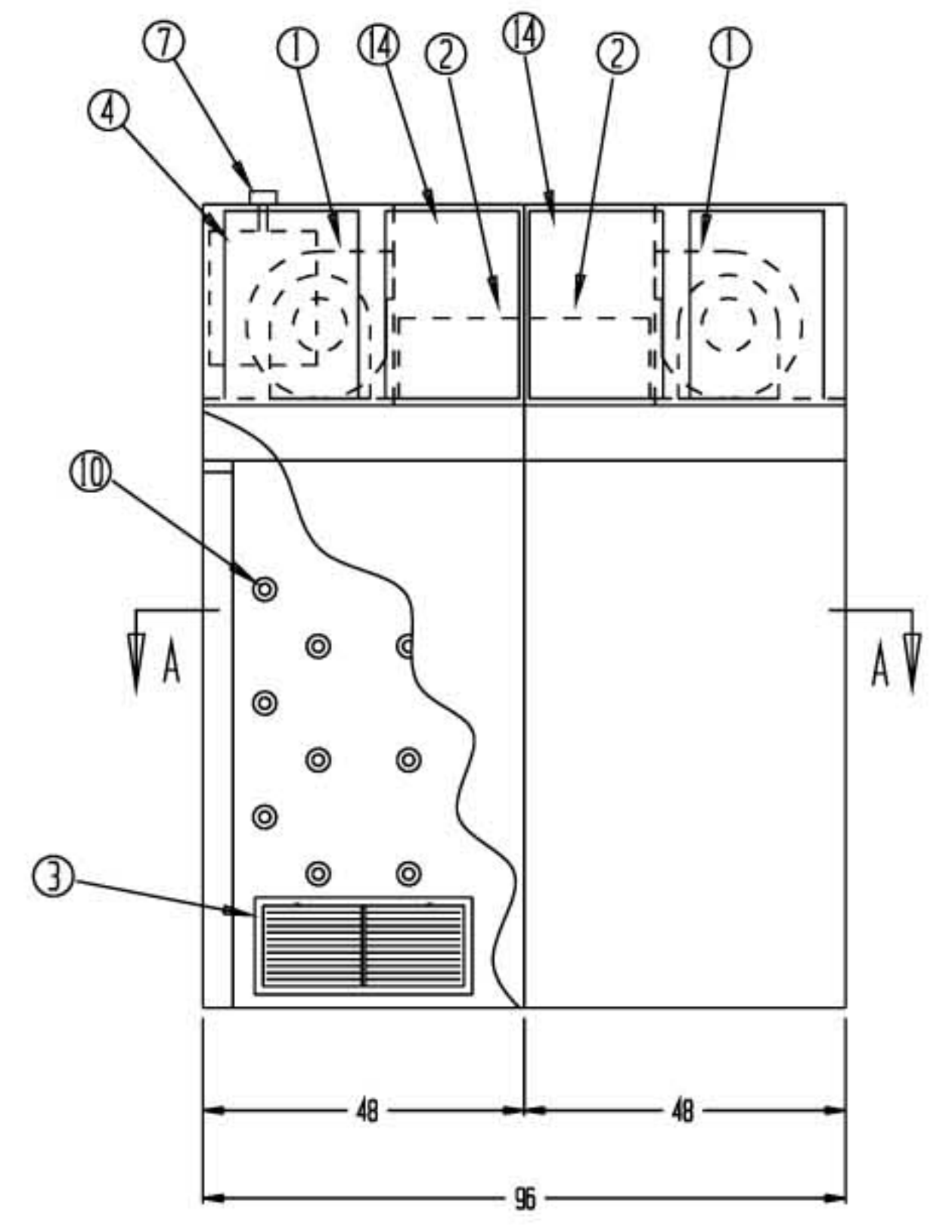
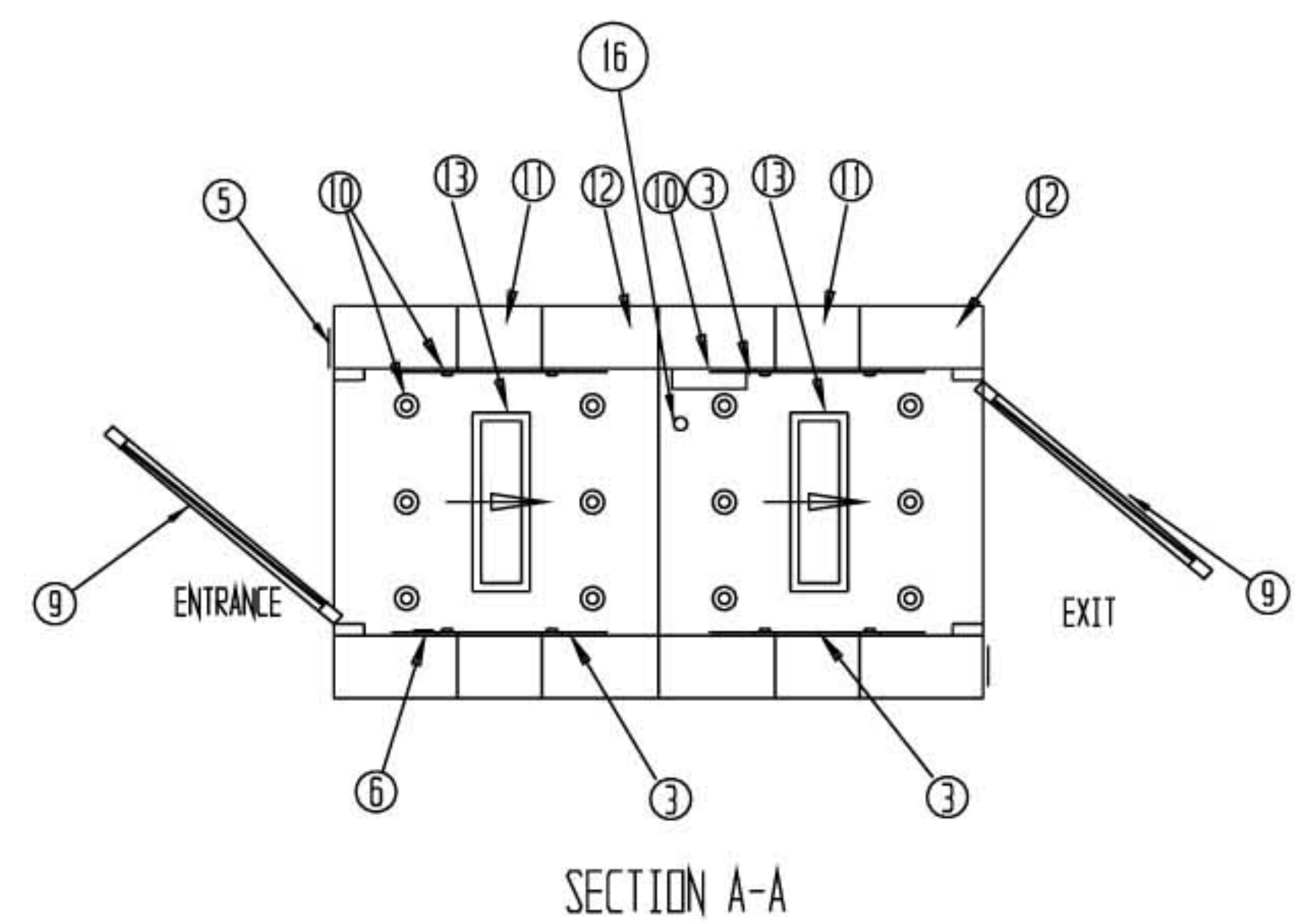
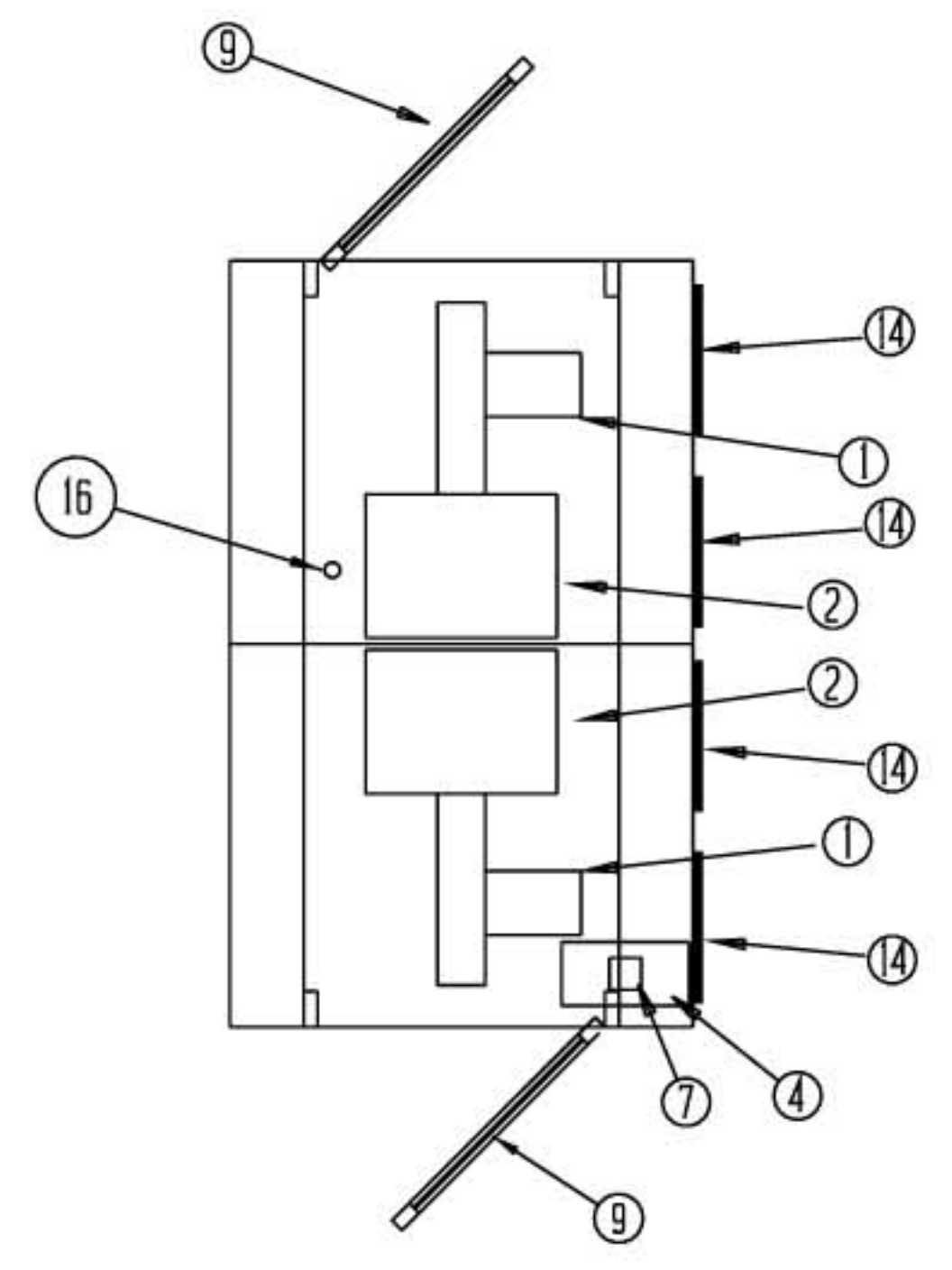
NOTES:

- CONSTRUCTION TO BE 16 GA GALVANEALD STEEL
- BOTTOM WALL CAPS TO BE TYPE 304 STAINLESS STEEL WITH A #4 FINISH
- INTERIOR AND EXTERIOR SURFACES TO BE COATED WITH WHITE EPOXY PAINT
- ELECTRICAL WIRING TO CONFORM TO LATEST NEC STANDARDS
- CUSTOMER TO SUPPLY A SINGLE SOURCE 480V/ 3PH/ 60HZ ELECTRICAL SERVICE
- UNIT TO MEET FEDERAL STANDARD 209B AND 209E FOR CLASS 100 DEVICES
- UNIT TO BE SHIPPED IN FOUR PIECES (2 BASE SECTIONS AND 2 BLOWER/FILTER SECTIONS)
- CUSTOMER TO VERIFY CLEAR DOOR OPENINGS OF NO LESS THAN 60" WIDE FROM UNLOADING SITE TO INSTALLATION SITE
- NO FLOOR

**IMPORTANT  
CUSTOMER TO CONFIRM:**

- DOOR SIZES AND DIRECTION OF SWING
- ENTRANCE AND EXIT SIDES AND DIRECTION OF OPERATION
- SERVICE ACCESS PANEL LOCATION AND SWING
- AVAILABILITY OF ELECTRICAL SERVICE REQUIRED
- ELECTRICAL SERVICE CONNECTION POINT
- OVERALL SIZE OF UNIT OR SECTIONS
- CLEAR DOOR OPENINGS OF NO LESS THAN 60" WIDE FROM UNLOADING SITE TO INSTALLATION SITE

- ① 2 EA. DIRECT DRIVE MOTOR/BLOWERS 5 H.P. CAPABLE OF PRODUCING 4000 CFM AT 4" S.P.
- ② 2 EA. 18 X 24 X 11 1/2 HEPA FILTER. 99.99% EFFICIENT ON PARTICLES OF 0.3 MICRONS AND LARGER
- ③ 4 EA. 30 X 12 X 1" ANODIZED ALUMINUM PRE-FILTER GRILLES WITH 35% EFFICIENT DISPOSABLE PRE-FILTERS
- ④ ELECTRONIC CONTROLS ENCLOSURE
- ⑤ MICROPROCESSOR CONTROL PANEL WITH LCD DISPLAY, MEMBRANE TYPE KEYPAD, AUDIBLE ALARM, LIGHT SWITCH, AND SYSTEM RESET BUTTON
- ⑥ EMERGENCY STOP BUTTON
- ⑦ ELECTRICAL JUNCTION BOXES FOR CUSTOMER CONNECTION
- ⑧ PROXIMITY SENSOR
- ⑨ ANODIZED ALUMINUM NARROW STILE DOOR AND FRAME WITH ACRYLIC GLAZING & SWEEPS
- ⑩ 68 EA. HIGH VELOCITY ADJUSTABLE AIR NOZZLES
- ⑪ RETURN AIR DUCTS
- ⑫ SUPPLY AIR DUCTS
- ⑬ 2 EA. FLUORESCENT LIGHT FIXTURE, CAPABLE OF PRODUCING 60 FC AT 40" AFF
- ⑭ SIDE MOUNTED, HINGED SERVICE PANELS FOR FILTERS & BLOWERS
- ⑮ MAGNETIC PRESSURE GAUGE FOR HEPA & PREFILTER
- ⑯ SEALED SLEEVE FOR SPRINKLER (PIPE & HEAD BY OTHERS)



ENTRANCE SIDE ELEVATION

SIDE ELEVATION

DRAWN FOR		<b>HALCO PRODUCTS INC</b> 100 NORTH GORDON ELK GROVE, ILL 60007			
		TITLE AS 487-MP/NF-ST			
DRAWN BY	TM	SIZE	JOB NO. 12665	DNV NO. 1016671BB	REV
APPROVED BY		SCALE	1/2"=1'-0"	DATE	5-11-11 SHEET