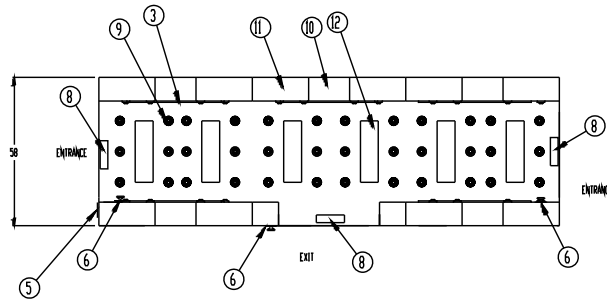
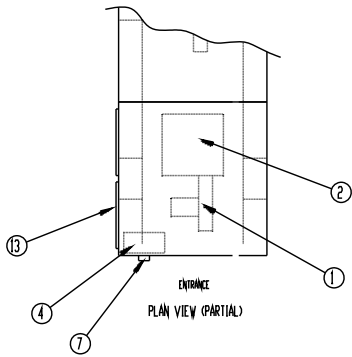


REVISIONS			
REV	DESCRIPTION	DATE	APPROVED
A	REMOVE DOORS & MOVE ACCESS	3/21/03	

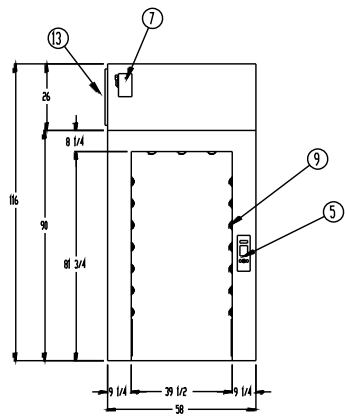


SECTION A-A

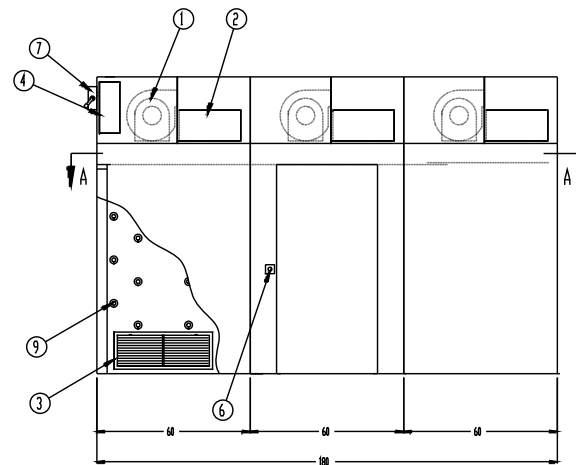
NOTES:

- CONSTRUCTION TO BE 16 GA. GALVANNEALED STEEL
- INTERIOR AND EXTERIOR SURFACES TO BE COATED WITH WHITE EPOXY
- ELECTRICAL WIRING TO CONFORM TO LATEST NEC STANDARDS
- CUSTOMER TO SUPPLY A SINGLE SOURCE 460 VOLT/3 PHASE/60HZ ELECTRICAL SERVICE
- UNIT TO MEET OR EXCEED ISO STANDARD 14644-1 CLASSIFICATION OF AIR CLEANLINESS
- UNIT TO BE SHIPPED IN SIX PIECES (3 BASE SECTIONS AND 3 BLOWER/FILTER SECTIONS)
- CUSTOMER TO VERIFY CLEAR DOOR OPENINGS OF NO LESS THAN 70" WIDE AND 60" HIGH FROM UNLOADING SITE TO INSTALLATION SITE
- NO FLOOR

- ① 3 EA. DIRECT DRIVE MOTOR/BLOWERS 5 HP, CAPABLE OF PRODUCING A TOTAL OF 600 CFM AT 4" SP.
- ② 3 EA. 24 X 24 X 1 1/2 HEPA FILTERS, 99.99% EFFICIENT ON PARTICLES OF 0.3 MICRONS AND LARGER
- ③ 5 EA. 12 X 36 X 1" ANODIZED ALUMINUM PRE-FILTER GRILLES WITH 35% EFFICIENT DISPOSABLE PRE-FILTERS
- ④ ELECTRONIC CONTROLS ENCLOSURE
- ⑤ MICROPROCESSOR CONTROL PANEL WITH LCD DISPLAY/MEMBRANE TYPE KEYPAD, ADJUSTABLE ALARM/LIGHT SWITCH, AND SYSTEM RESET BUTTON
- ⑥ 3 EA. EMERGENCY STOP BUTTONS
- ⑦ 1 EA. NON-FUSED ELECTRICAL DISCONNECT SWITCH FOR CUSTOMER CONNECTION 480 VOLT, 3 PHASE, 30 AMP SERVICE
- ⑧ 3 EA. PRESENCE SENSOR
- ⑨ 120 EA. HIGH VELOCITY ADJUSTABLE AIR NOZZLES
- ⑩ RETURN AIR DUCTS
- ⑪ SUPPLY AIR DUCTS
- ⑫ 6 EA. FLUORESCENT LIGHT FIXTURES, CAPABLE OF PRODUCING 60 FC AT 40" AFF
- ⑬ HINGED SERVICE PANELS FOR HEPA FILTER AND BLOWER ACCESS



FRONT ELEVATION



RIGHT SIDE ELEVATION

(1) UNIT REQUIRED, AS SHOWN
TAG: SRX0101 "LOCKER ROOM"

DRAWN FOR TKS INDUSTRIAL CO. NISSAN MADISON, MISSISSIPPI PHASE II	HALCO PRODUCTS CO. 100 N.W. GORDON STREET, ELK GROVE, IL. 60007			
	TITLE AIR SHOWER - AS4157-MP/NF/NDR/ST			
DRAWN BY DK	SIZE JOB NO. 10617	DWG NO. 1012378BA	REV A	
APPROVED BY	SCALE 1/2"=1'-0"	DATE 02/05/03	SHEET	