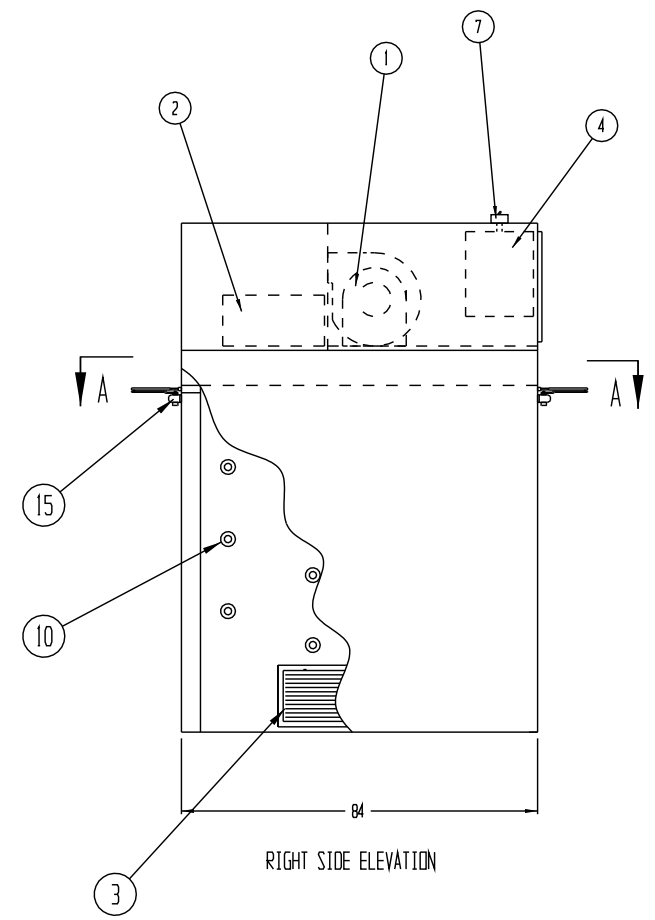
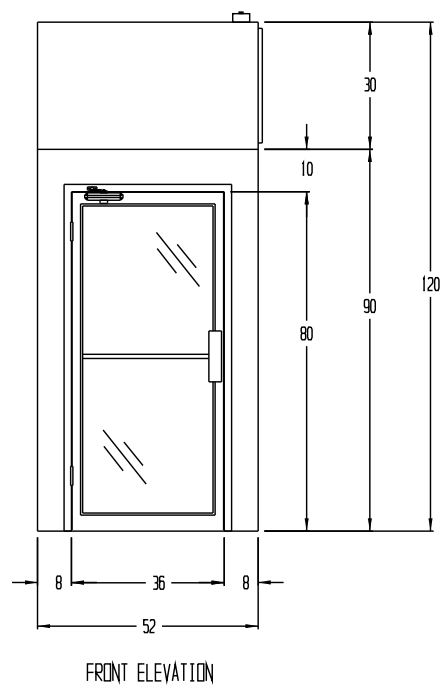
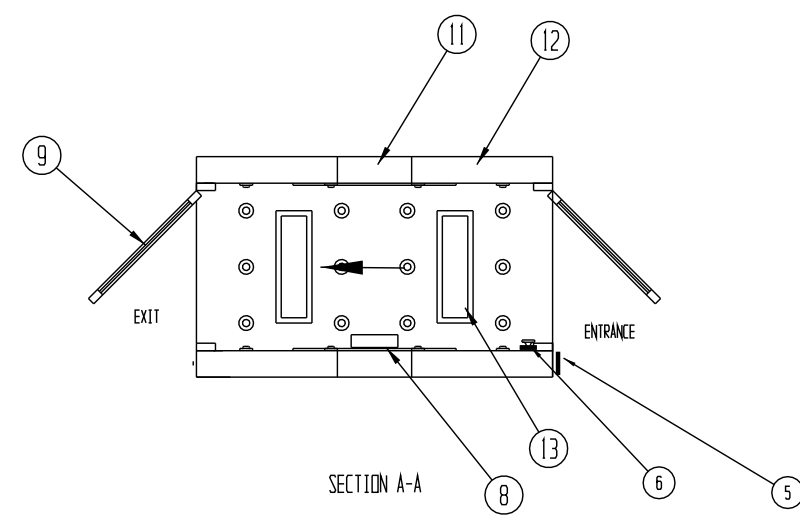
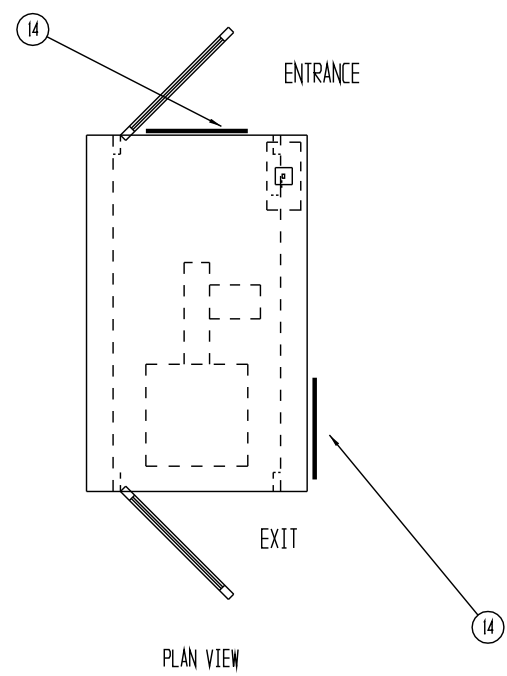


REV		DESCRIPTION	REVISIONS	DATE	APPROVED



NOTES:

- CONSTRUCTION TO BE 16 GA. WHITE EPOXY PAINTED STEEL
- ELECTRICAL WIRING TO CONFORM TO LATEST NEC STANDARDS
- CUSTOMER TO SUPPLY A SINGLE SOURCE, 208 V /3 PH/ 60 HZ ELECTRICAL SERVICE (UNIT DRAWS 10.0FLA)
- UNIT TO MEET OR EXCEED FEDERAL STANDARD 209B AND 209E FOR CLASS 100 DEVICES
- UNIT TO BE SHIPPED IN TWO PIECES (1 BASE SECTION AND 1 BLOWER/FILTER SECTION)
- NO FLOOR

- ① 1 EA. DIRECT DRIVE MOTOR/BLOWER, 5 H.P. 12.1FLA, CAPABLE OF PRODUCING 1820 CFM AT 2" S.P.
- ② 1 EA. 24 X 24 X 11 1/2 V-BANK HEPA FILTER. 99.99% EFFICIENT ON PARTICLES OF 0.3 MICRONS
- ③ 2 EA. 12 X 36 ANODIZED ALUMINUM GRILLES WITH 1" THK. 35% EFFICIENT DISPOSABLE PRE-FILTERS
- ④ ELECTRONIC CONTROLS ENCLOSURE
- ⑤ TOUCH SCREEN CONTROL PANEL WITH AUDIBLE ALARM, LIGHT SWITCH & EMERGENCY STOP BUTTON
- ⑥ EMERGENCY STOP BUTTON (MUSHROOM TYPE)
- ⑦ ELECTRICAL JUNCTION BOX WITH DISCONNECT FOR CUSTOMER SINGLE SOURCE ELECTRICAL CONNECTION
- ⑧ PRESENCE SENSOR
- ⑨ ANODIZED ALUMINUM DOORS AND FRAMES WITH 1/4" THK. ACRYLIC GLAZING
- ⑩ 40 EA. HIGH VELOCITY ADJUSTABLE AIR NOZZLES
- ⑪ RETURN AIR DUCTS
- ⑫ SUPPLY AIR DUCTS
- ⑬ 2 EA. FLUORESCENT LIGHT FIXTURES, CAPABLE OF PRODUCING 60 FC AT 40" AFF
- ⑭ HINGED ACCESS PANELS
- ⑮ DOOR CLOSERS

**IMPORTANT
CUSTOMER TO CONFIRM:**

- DOOR SIZES AND DIRECTION OF SWING
- ENTRANCE AND EXIT SIDES AND DIRECTION OF OPERATION
- SERVICE ACCESS PANEL LOCATION AND SWING
- AVAILABILITY OF ELECTRICAL SERVICE REQUIRED
- ELECTRICAL SERVICE CONNECTION POINT
- OVERALL SIZE OF UNIT OR SECTIONS
- CLEAR DOOR OPENINGS OF NO LESS THAN 53" WIDE FROM UNLOADING SITE TO INSTALLATION SITE

(1) UNIT REQUIRED, AS SHOWN

DRAWN FOR		HALCO PRODUCTS CO. 100 NO. GORDON STREET ELK GROVE, IL. 60007			
		TITLE AIR SHOWER AS377-MP/NF/ST			
DRAWN BY	TM	SIZE	JOB NO.	DWG NO.	1017853BA
APPROVED BY		SCALE	1/2"=1'-0"	DATE	9-13-13
				SHEET	