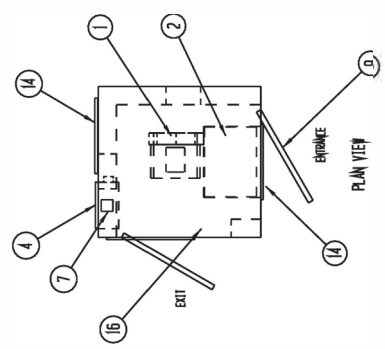
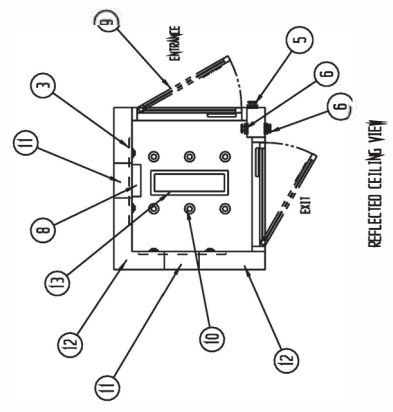


REV	DESCRIPTION	DATE	APPROVED
A	BLOWER ACCESS/ELECTRICAL LOCATION	9/30/20	

NOTES:

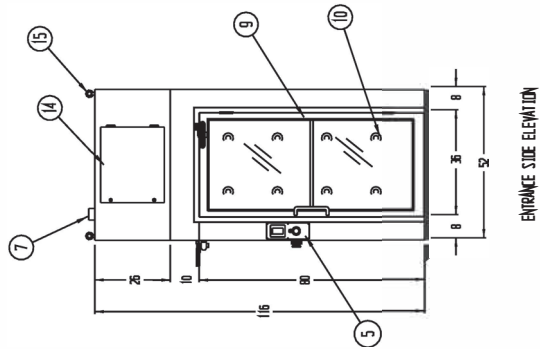
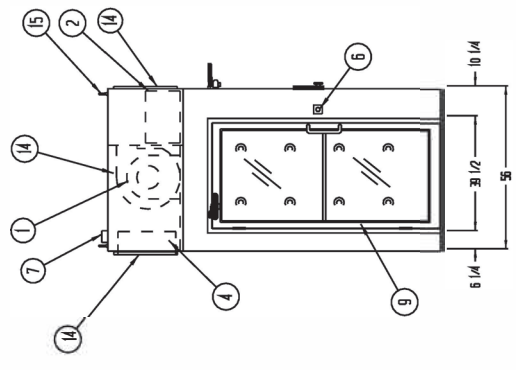
- CONSTRUCTION TO BE 16 GA. GALVANNEALED STEEL COATED WITH WHITE EPOXY PAINT
- ELECTRICAL WIRING TO CONFORM TO LATEST NEC/ISA STANDARDS
- CONTROLS ENCLOSURE TO BE CUL LABELED PER UL 508A STANDARDS
- CUSTOMER TO SUPPLY A SINGLE SOURCE, 208 VOLT/3 PHASE/60 HZ ELECTRICAL SERVICE, UNIT DRAINS TO 0.0 FLA
- UNIT TO MEET ISO 14644-1 FOR CLASS 5 DEVICES
- UNIT TO BE SHIPPED IN TWO PIECES (1 BASE SECTION AND 1 BLOWER/FILTER SECTION)
- NO FLOOR
- SILICONE AND LATEX CAULKING TO BE USED TO SEAL JOINTS



**IMPORTANT
CUSTOMER TO CONFIRM:**

- DOOR SIZES AND DIRECTION OF SWING
- ENTRANCE AND EXIT SIZES AND DIRECTION OF OPERATION
- SERVICE ACCESS PANEL LOCATION
- AVAILABILITY OF ELECTRICAL SERVICE REQUIRED
- ELECTRICAL SERVICE CONNECTION POINT
- OVERALL SIZE OF UNIT OR SECTIONS
- CLEAR DOOR OPENINGS OF NO LESS THAN 55" WIDE FROM UNLOADING SITE TO INSTALLATION SITE

(1) UNIT REQUIRED AS SHOWN



- 1 EA. DIRECT DRIVE MOTOR/BLOWER 3 H.P. CAPABLE OF PRODUCING 1000 CFM AT 4" S.P., 208V/3PH/60HZ, 8.0 FLA
- 1 EA. 18" X 24" X 11-1/2" HEPA FILTER, 99.99% EFFICIENT ON PARTICLES OF 0.3 MICRON SIZED PARTICLES
- 2 EA. 24" X 12" X 1" STAINLESS STEEL PRE-FILTER GRILLES WITH 35% EFFICIENT DISPOSABLE PLEATED PRE-FILTERS
- ELECTRONIC CONTROLS ENCLOSURE WITH DISCONNECT
- PLC TOUCHSCREEN CONTROL PANEL, AUDIBLE ALARM, LIGHT SWITCH, AND SYSTEM RESET BUTTON
- 3 EA. EMERGENCY STOP BUTTON
- ELECTRICAL JUNCTION BOX FOR CUSTOMER CONNECTION
- ACTIVE INFRARED PRESENCE SENSOR
- ANODIZED ALUMINUM HARBOR STYLE DOORS AND FRAMES WITH MAG LOCKS 1/4" THICK ACRYLIC INSERTS AND FAIL-SAFE DOOR INTERLOCK SYSTEM
- 20 EA. HIGH VELOCITY ADJUSTABLE AIR NOZZLES
- RETURN AIR DUCTS
- SUPPLY AIR DUCTS
- 1 EA. LED LIGHT FIXTURE, CAPABLE OF PRODUCING 60 FC AT 40" AFF
- HINGED SERVICE ACCESS PANELS
- LIFTING EYELETS FOR BLOWER SECTION
- DIFFERENTIAL PRESSURE TRANSDUCERS FOR HEPA AND PRE FILTERS WITH READOUT ON TOUCH SCREEN

DESIGNED FOR	HALCO PRODUCTS COMPANY 100 NO. GORDON STREET, ELK GROVE, IL, 60007		
TITLE	AS347L-ST/PLC/NF		
DESIGNED BY	DK	DWG NO	1022354BA
APPROVED BY		DATE	9/3/20
SCALE	1/4" = 1'-0"		