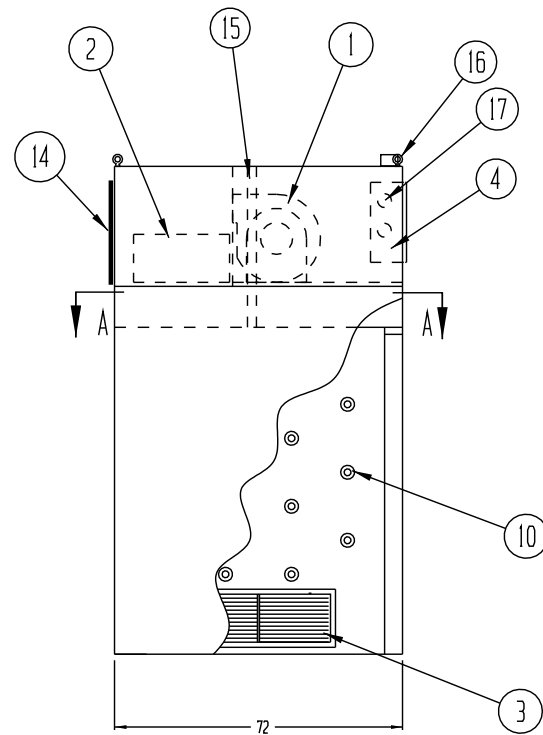
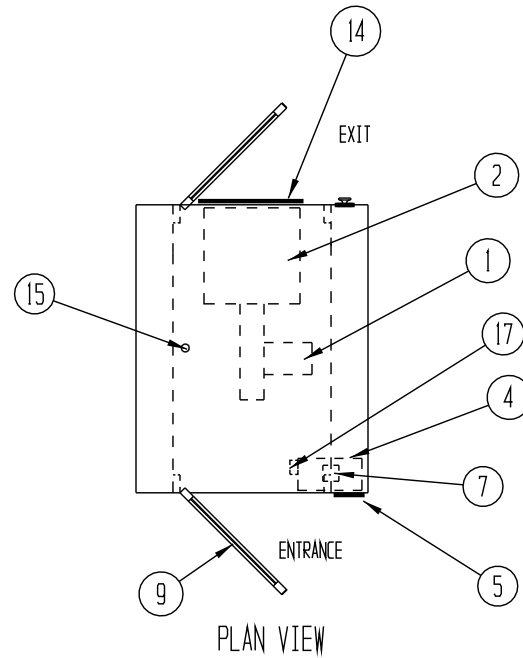
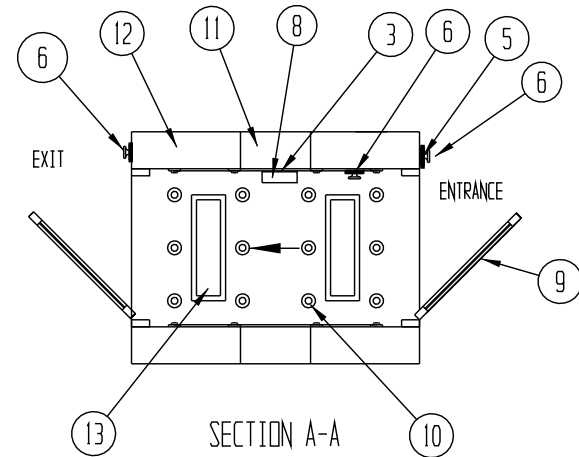
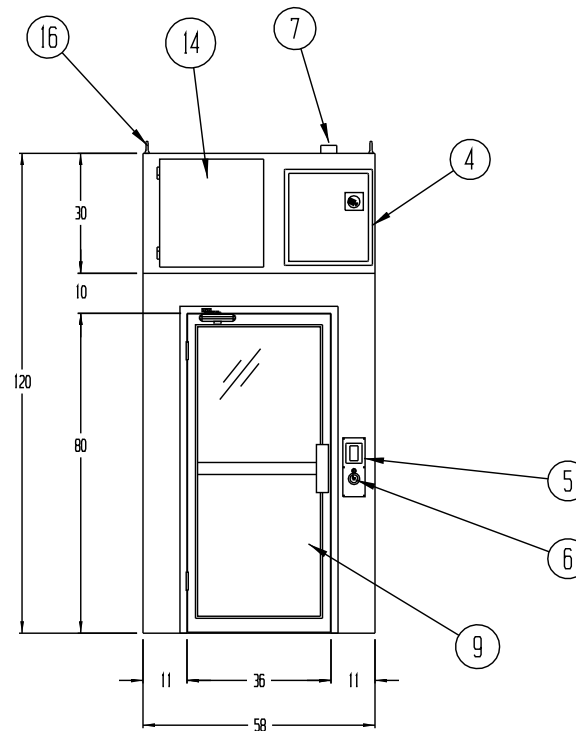


REVISIONS			
REV	DESCRIPTION	DATE	APPROVED



LEFT SIDE ELEVATION



FRONT ELEVATION
(ENTRANCE)

NOTES:

- CONSTRUCTION TO BE 16 GA. ALUMINUMIZED STEEL
- ELECTRICAL WIRING TO CONFORM TO LATEST NEC STANDARDS
- CUSTOMER TO SUPPLY A SINGLE SOURCE 460 VOLT/3 PH, 60 HZ, ELECTRICAL SERVICE
- CONTROL PANEL TO BE UL LABELED TO UL508A
- UNIT TO MEET OR EXCEED ISO STANDARD 14644-1 CLASSIFICATION OF AIR CLEANLINESS
- UNIT TO BE SHIPPED IN TWO PIECES (1 BASE SECTION AND 1 BLOWER/FILTER SECTION)

IMPORTANT
CUSTOMER TO CONFIRM:

- DOOR SIZES AND DIRECTION OF SWING
- ENTRANCE AND EXIT SIDES AND DIRECTION OF OPERATION
- SERVICE ACCESS PANEL LOCATION
- AVAILABILITY OF ELECTRICAL SERVICE REQUIRED
- ELECTRICAL SERVICE CONNECTION POINT
- OVERALL SIZE OF UNIT OR SECTIONS
- CLEAR DOOR OPENINGS OF NO LESS THAN 60" WIDE FROM UNLOADING SITE TO INSTALLATION SITE

- ① 1 EA. DIRECT DRIVE BLOWER WITH A 5 H.P., TEFC 460V/ 3PH/ 60HZ, 182T MOTOR CAPABLE OF PRODUCING 2000 CFM AT 4" S.P.
- ② 1 EA. 24 X 24 X 11 1/2 V-CELL HEPA FILTER. 99.99% EFFICIENT ON PARTICLES OF 0.3 MICRONS
- ③ 2 EA. 36 X 12 X 1" ANODIZED ALUMINUM PRE-FILTER GRILLES WITH 35% EFFICIENT DISPOSABLE PRE-FILTERS
- ④ ELECTRONIC CONTROLS ENCLOSURE WITH NON FUSED DISCONNECT
- ⑤ PLC TOUCH SCREEN CONTROL PANEL WITH AUDIBLE ALARM AND EMERGENCY STOP BUTTON
- ⑥ 3 EA. EMERGENCY STOP BUTTONS
- ⑦ JUNCTION BOX FOR CUSTOMER CONNECTION
- ⑧ ACTIVE INFRARED PRESENCE SENSOR
- ⑨ ANODIZED ALUMINUM NARROW STILE DOORS WITH SAFETY GLASS
- ⑩ 40 EA. HIGH VELOCITY ADJUSTABLE AIR NOZZLES
- ⑪ RETURN AIR DUCTS
- ⑫ SUPPLY AIR DUCTS
- ⑬ 2 EA. RECESSED LED LIGHT FIXTURES, CAPABLE OF PRODUCING 60 FC AT 40" AFF
- ⑭ SIDE HINGED SERVICE PANELS FOR HEPA FILTER AND BLOWER ACCESS
- ⑮ SEALED SLEEVE FOR SPRINKLER, PIPE & HEAD BY OTHERS
- ⑯ EYEBOLTS FOR RIGGING BLOWER SECTION IN PLACE
- ⑰ PRESSURE TRANSMITTERS FOR HEPA AND PRE FILTERS WITH READOUT ON TOUCHSCREEN WITH FILTER CHANGE ALARMS

(1) UNIT REQUIRED, AS SHOWN

TAG: DOOR #30

DRAWN FOR FIAT CHRYSLER AUTO	HALCO PRODUCTS CO. 100 NO. GORDON STREET ELK GROVE, IL. 60007		
	TITLE AS467-PLC/NF/ALST		
DRAWN BY DK	SIZE JOB NO. 14439	DNIG NO. 102081580	REV
APPROVED BY	SCALE 1/4"=1'-0"	DATE 7/12/17	REF JOB: 14042