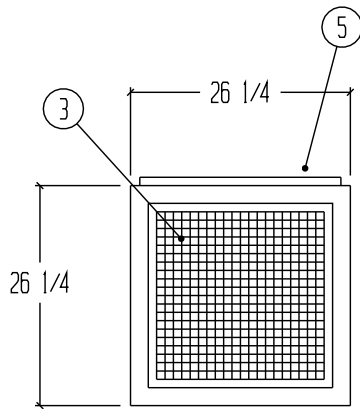


NOTES:

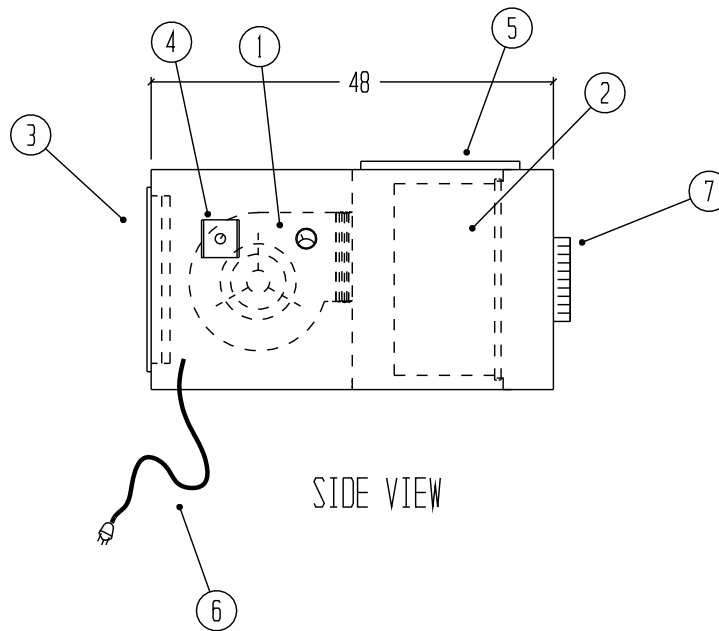
- UNIT TO BE CONSTRUCTED OF 16 GA. WHITE EPOXY PAINTED STEEL
- ELECTRICAL WIRING TO CONFORM TO LATEST NEC STANDARDS
- UNIT TO MEET ISO STANDARD 14644-1 (FED. STD. 209E)

REVISIONS			
REV	DESCRIPTION	DATE	APPROVED

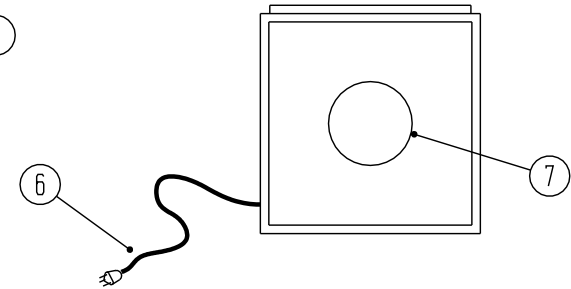
- ① 1 EA. 10-8A DIRECT DRIVE BLOWER WITH 1/2 H.P. 115 VOLT/60 CYCLE/7.1 AMP MOTOR WITH A TOTAL CAPACITY OF 800 CFM
- ② 1 EA. 24 X 24 X 12" V-BANK HEPA FILTER. 99.99% EFFICIENT ON PARTICLES OF 0.3 MICRONS AND LARGER
- ③ 1 EA. 20 X 20 X 1" THICK DISPOSABLE PRE-FILTER, 35% EFFICIENT
- ④ CONTROL PANEL WITH MINIHELIC PRESSURE GAUGE, AND BLOWER SPEED CONTROL
- ⑤ FILTER ACCESS PANEL
- ⑥ 10 FT POWER CORD WITH PLUG
- ⑦ 10" DUCT COLLAR



LEFT END VIEW



SIDE VIEW



RIGHT END VIEW

DRAWN FOR		HALCO PRODUCTS CO.			
		100 NO. GORDON STREET ELK GROVE, IL. 60007			
TITLE		AIR HANDLER - AH-22 ST/SP			
DRAWN BY	TM	SIZE	JOB NO.	DWG NO.	2214186AHALCO
APPROVED BY		SCALE	1/2" = 1' - 0"	DATE	9-21-10
				SHEET	