

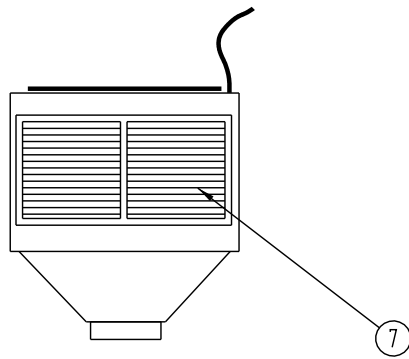
REVISIONS			
REV	DESCRIPTION	DATE	APPROVED

NOTES:

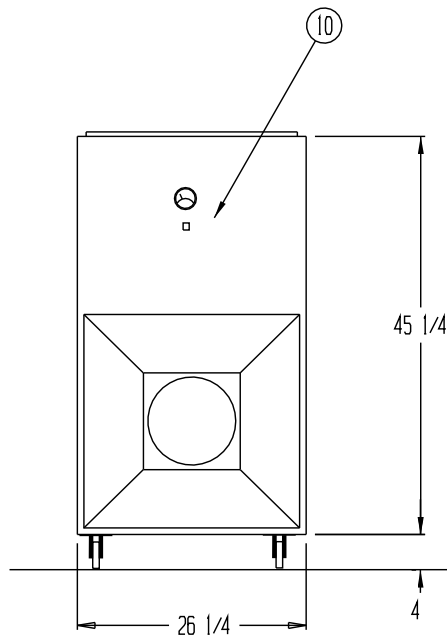
-UNIT TO BE CONSTRUCTED OF 16 GA GALVANNEALED STEEL
WHITE EPOXY PAINTED

-ELECTRICAL TO MEET LATEST NEC CODES

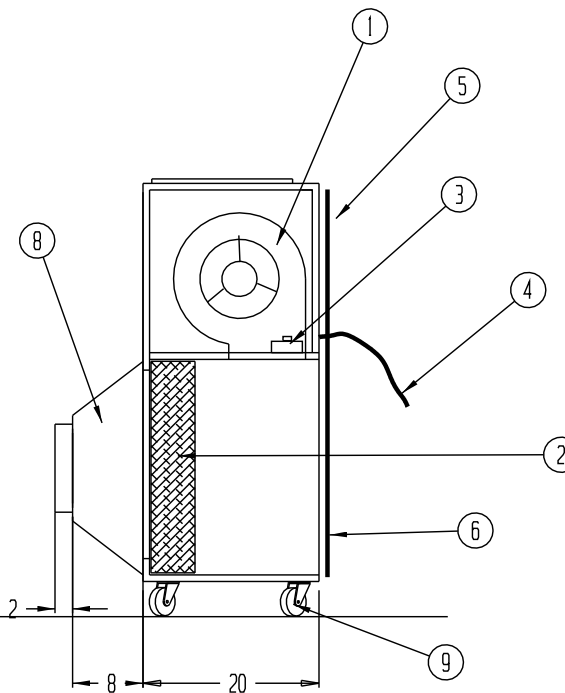
-UNIT TO MEET ISO STANDARD 14644-1



TOP VIEW



FRONT VIEW



SIDE (SECTION) VIEW

- ① 1 EA. DD9-7AT DIRECT DRIVE MOTOR/BLOWER WITH 1/3 H.P. 115 VOLT, 1 PHASE, 60 CYCLE / 4.6 FLA. CAPABLE OF PRODUCING 400 CFM AT 1" S.P.
- ② 1 EA. 24 X 24 X 3 1/2" HEPA FILTER, 99.99% EFFECTIVE ON PARTICLES OF 0.3 MICRONS SIZE, GASKET SEAL
- ③ MOTOR SPEED CONTROL
- ④ 8' POWER CORD FOR 115V SUPPLY
- ⑤ MOTOR/BLOWER SERVICE ACCESS PANEL
- ⑥ HEPA FILTER SERVICE ACCESS PANEL
- ⑦ ANODIZED ALUMINUM GRILLE W/ 12" X 24" X 1" 35% DISPOSABLE PREFILTER
- ⑧ ANODIZED ALUMINUM AIR SUPPLY TRANSITION WITH 10" DIA. STARTER COLLAR
- ⑨ SWIVEL CASTERS
- ⑩ CONTROL PANEL W/ MINIHELIC PRESSURE GAUGE & POWER SWITCH

DRAWN FOR		HALCO PRODUCTS CO.			
		100 NO. GORDON STREET ELK GROVE, IL. 60007			
		TITLE PORTABLE HEPA FILTER UNIT - MODEL 2424 VH-SP			
DRAWN BY	TM	SIZE	JOB NO.	DWG NO.	REV
APPROVED BY		SCALE	3/4" = 1' - 0"	DATE	5-12-04
					SHEET